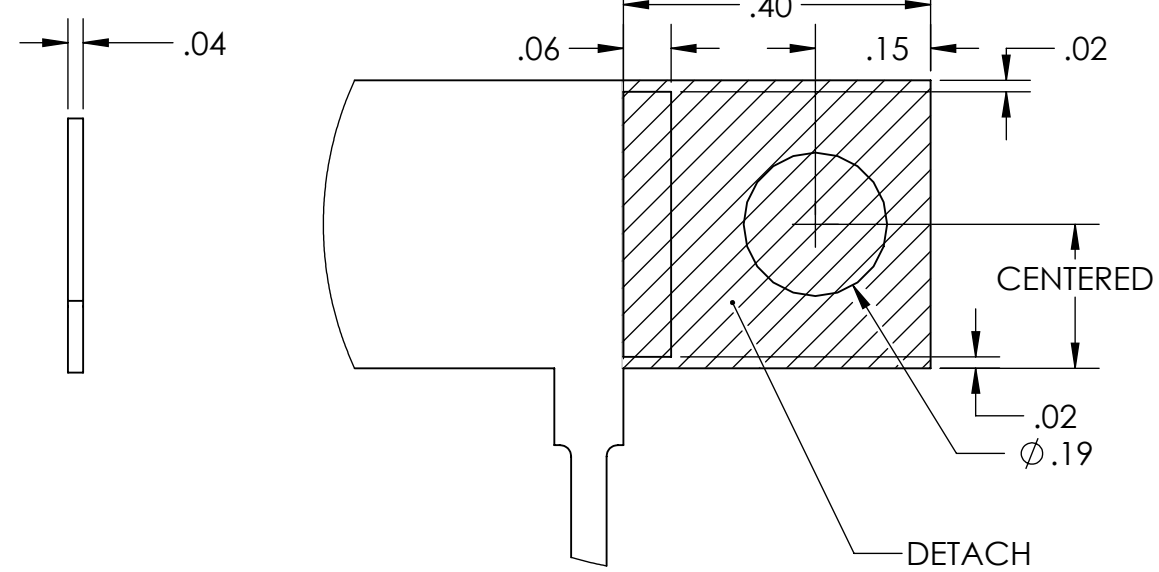
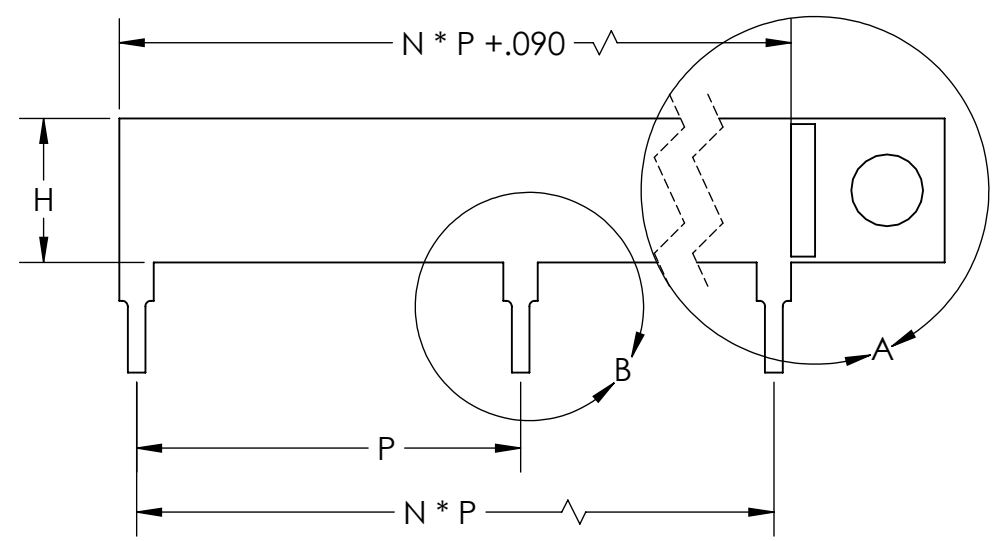
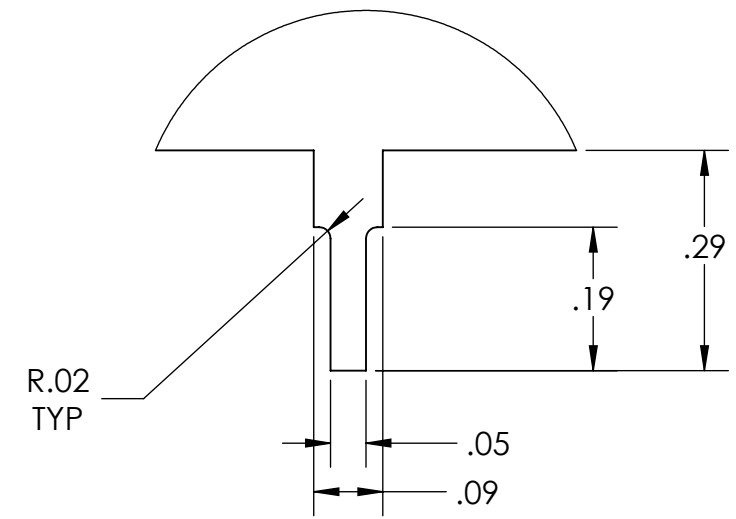


REV	ZONE	DESCRIPTION	DATE	ENG
1	-	INITIAL DESIGN	6/11/15	MVM

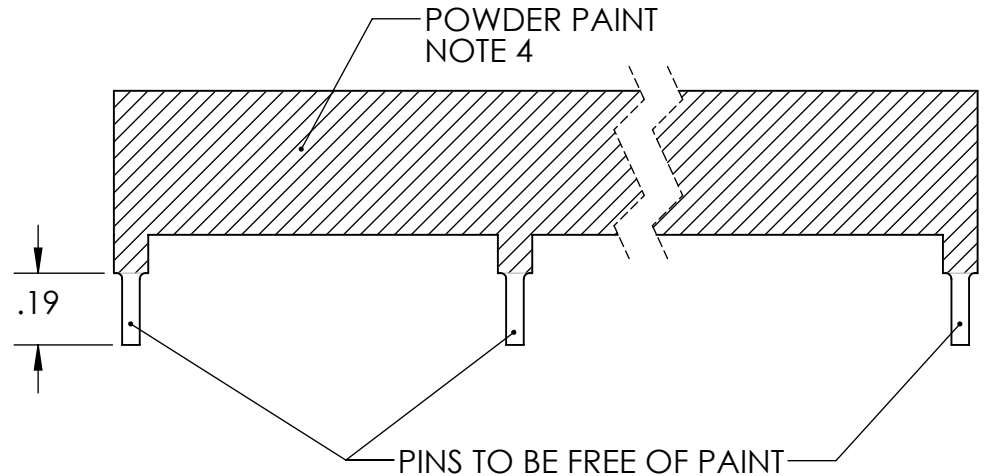


- DETACH
- UN-PLATED PARTS PRIOR TO SHIPPING
 - PLATED AND PAINTED PARTS - AFTER PLATING

DETAIL A
SCALE 4 : 1



DETAIL B
SCALE 4 : 1



POWDER PAINT
MASK DETAIL

(STORM PART NUMBER)
SPBSHHNNPPP-FL

- L - **OPTIONAL** " L " PATTERN
L = 1/2 "H"
- FINISH CODE
• 0 = UN-PLATED
• T = TIN PLATED
• P = POWDER PAINT OVER TIN
- P - PITCH
EXAMPLE 100 = 1.00", 050 = .50"
- N = NUMBER OF SPACES
NUMBER OF PINS - 1
- H = HEIGHT CODE
• .250"
• .375"
• .500"

NOTES:

1. MATERIAL: .040" THICK COPPER SHEET C110 HO2 TEMPER
2. DEBURR EDGES .01 UNLESS OTHERWISE NOTED
3. EXTERNAL INSULATION: .01-.03 THICK DIELECTRIC GRADE EPOXY POWDER COATING (GREY)
4. POWDER COAT ENTIRE ASSEMBLY(NO COATING ON PINS)

UNLESS OTHERWISE SPECIFIED:

DIMENSIONS ARE IN INCHES
TOLERANCES:
ANGULAR: BEND $\pm 1^\circ$
ONE PLACE DECIMAL $\pm .1$
TWO PLACE DECIMAL $\pm .01$
THREE PLACE DECIMAL $\pm .005$

INTERPRET GEOMETRIC TOLERANCING PER:

MATERIAL
C110 COPPER

FINISH
REF P/N

DO NOT SCALE DRAWING

	NAME	DATE
DRAWN	MVM	6/11/15
CHECKED		
ENG APPR.		
MFG APPR.		
Q.A.		
COMMENTS:	BOARD STIFFENER	



TITLE: BOARD STIFFENER		
SIZE B	DWG. NO. SPBS25006150-P	REV 1
SCALE: 1:1	WEIGHT: 0.04	SHEET 1 OF 1