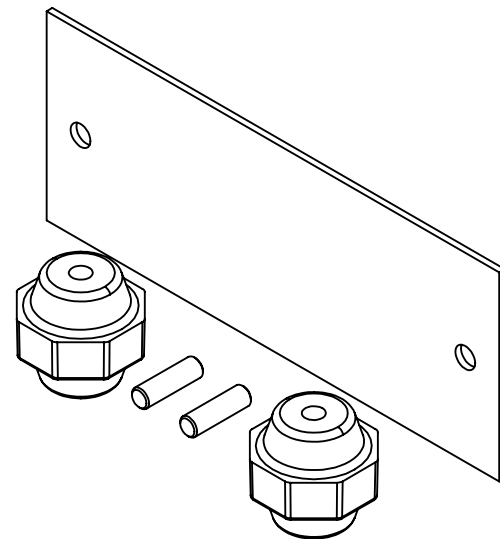


ITEM NO.	PART NUMBER	DESCRIPTION	QTY.
1	COV375410-1		1
2	4200-S5	4200-S5	2
3	375ALLTHREAD	3/8-16 x 1.25 ALL THREAD	2

REV	ZONE	DESCRIPTION	DATE	ENG
	-	INITIAL DESIGN	3-27-14	JAS

NOTES:

1. MATERIAL: .125 THICK POLYCARBONATE
2. DEBURR EDGES
3. FINISH: NONE



UNLESS OTHERWISE SPECIFIED:		NAME	DATE
DIMENSIONS ARE IN INCHES		DRAWN	JAS 3-27-14
TOLERANCES:		CHECKED	
ANGULAR: BEND ±1°		ENG APPR.	
ONE PLACE DECIMAL ±.1		MFG APPR.	
TWO PLACE DECIMAL ±.021		Q.A.	
THREE PLACE DECIMAL ±.005		COMMENTS:	
INTERPRET GEOMETRIC TOLERANCING PER:			
MATERIAL: SEE NOTES			
FINISH: SEE NOTES			
DO NOT SCALE DRAWING			
STORM POWER COMPONENTS			
TITLE: COVER-375-10			
SIZE	DWG. NO.	REV	
B	COV375410-1-KT	1	
SCALE: 1:2	WEIGHT:	SHEET 1 OF 1	